



B060604SC

Industry Standards

UL 50, Types 12 & 13
(6" X 6" X 4" & above)
UL 508, Types 12 & 13
(6" X 4" X 4" & smaller)
CSA Certified, Type 12
NEMA/EEMAC Type 12 & 13
JIC EL-1-71

 UL Files E23553, E64791

 CSA File LL66078

FEATURES-SPECIFICATIONS

Applications

Designed for use as instrument housings, electrical control enclosures, terminal wiring boxes or electrical junction boxes. Provides protection from dirt, dust, oil and water.

Construction

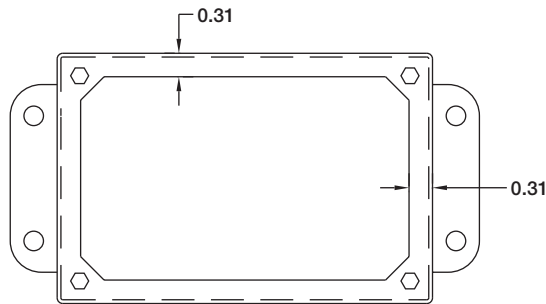
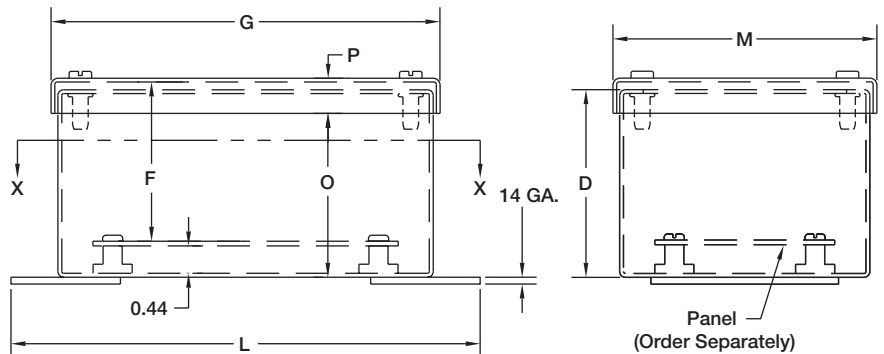
- Bodies and doors fabricated from 14 gauge steel
- Continuously welded seams ground smooth, less knockouts of holes
- Lids are sealed with closed cell oil resistant neoprene gasket
- External mounting plates, top and bottom of enclosure
- Weldnuts are provided on models 6.00" x 4.00" and larger to secure **optional** back panel
- Captivated cover screws are provided which thread into sealed wells to prevent leakage through cover
- Grounding provisions provided

Finish

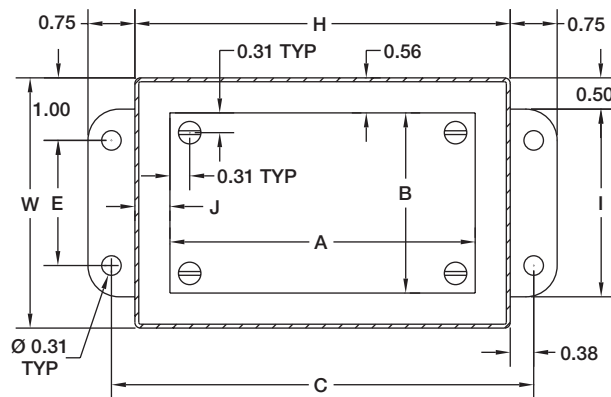
- ANSI-61 gray polyester powder inside and out over phosphatized surfaces
- **Optional** back panels are white polyester powder over phosphatized surfaces

Accessories

- Back panels (reference tables)
- See pages J1- J19



TOP VIEW
COVER REMOVED



SECTION X-X



B-SC SERIES JIC SCREW COVER ENCLOSURES												
CATALOG NUMBER	BODY/DOOR STEEL GAUGE	ENCLOSURE SIZE H X W X D	BACK PANEL CATALOG NUMBER*	BACK PANEL SIZE A X B	MOUNTING C X E	OVERALL L X M	F	G	I	J	O	P
B040403SC	14/14	4.00x4.00x3.00 (102x102x76)	—	—	4.75x2.00 (121x51)	5.50x4.31 (140x110)	2.53 (64)	4.31 (110)	3.00 (76)	—	2.59 (66)	0.56 (14)
B040404SC	14/14	4.00x4.00x4.00 (102x102x102)	—	—	4.75x2.00 (121x51)	5.50x4.31 (140x110)	3.53 (90)	4.31 (110)	3.00 (76)	—	3.59 (91)	0.56 (14)
B060403SC	14/14	6.00x4.00x3.00 (152x102x76)	P0604	4.88x2.88 (124x73)	6.75x2.00 (171x51)	7.50x4.31 (191x110)	2.53 (64)	6.31 (160)	3.00 (76)	0.56 (14)	2.59 (66)	0.56 (14)
B060404SC	14/14	6.00x4.00x4.00 (152x102x102)	P0604	4.88x2.88 (124x73)	6.75x2.00 (171x51)	7.50x4.31 (191x110)	3.53 (90)	6.31 (160)	3.00 (76)	0.56 (14)	3.59 (91)	0.56 (14)
B060604SC	14/14	6.00x6.00x4.00 (152x152x102)	P0606	4.88x4.88 (124x124)	6.75x4.00 (171x102)	7.50x6.31 (191x160)	3.53 (90)	6.31 (160)	5.00 (127)	0.56 (14)	3.59 (91)	0.56 (14)
B080603SC	14/14	8.00x6.00x3.50 (203x152x89)	P0806	6.88x4.88 (175x124)	8.75x4.00 (222x102)	9.50x6.31 (241x160)	3.03 (77)	8.31 (211)	5.00 (127)	0.56 (14)	3.09 (79)	0.56 (14)
B080606SC ◀	14/14	8.00x6.00x6.00 (203x152x152)	P0806	6.88x4.88 (175x124)	8.75x4.00 (222x102)	9.50x6.31 (241x160)	5.53 (141)	8.31 (211)	5.00 (127)	0.56 (14)	5.59 (142)	0.56 (14)
B080804SC	14/14	8.00x8.00x4.00 (203x203x102)	P0808	6.88x6.88 (175x175)	8.75x6.00 (222x152)	9.50x8.31 (241x211)	3.53 (90)	8.31 (211)	7.00 (178)	0.56 (14)	3.59 (91)	0.56 (14)
B100804SC	14/14	10.00x8.00x4.00 (254x203x102)	P1008	8.88x6.88 (226x175)	10.75x6.00 (273x152)	11.50x8.31 (292x211)	3.53 (90)	10.31 (262)	7.00 (178)	0.56 (14)	3.59 (91)	0.56 (14)
B100806SC	14/14	10.00x8.00x6.00 (254x203x152)	P1008	8.88x6.88 (226x175)	10.75x6.00 (273x152)	11.50x8.31 (292x211)	5.53 (141)	10.31 (262)	7.00 (178)	0.56 (14)	5.59 (142)	0.56 (14)
B101004SC ◀	14/14	10.00x10.00x4.00 (254x254x102)	P1010	8.88x8.88 (225x225)	10.75x8.00 (273x203)	11.50x10.31 (292x262)	3.53 (90)	10.31 (262)	9.00 (229)	0.56 (14)	3.59 (91)	0.56 (14)
B101006SC ◀	14/14	10.00x10.00x6.00 (254x254x152)	P1010	8.88x8.88 (225x225)	10.75x8.00 (273x203)	11.50x10.31 (292x262)	5.53 (141)	10.31 (262)	9.00 (229)	0.56 (14)	5.59 (142)	0.56 (14)
B121005SC ◀	14/14	12.00x10.00x5.00 (305x254x127)	P1210	10.88x8.88 (276x226)	12.75x8.00 (324x203)	13.50x10.31 (343x262)	4.53 (115)	12.31 (313)	9.00 (229)	0.56 (14)	4.59 (117)	0.56 (14)
B121206SC	14/14	12.00x12.00x6.00 (305x305x152)	P1212	10.88x10.88 (276x276)	12.75x10.00 (324x254)	13.50x12.31 (343x313)	5.53 (141)	12.31 (313)	11.00 (279)	0.56 (14)	5.59 (142)	0.56 (14)
B141206SC	14/14	14.00x12.00x6.00 (356x305x152)	P1412	12.88x10.88 (327x276)	14.75x10.00 (375x254)	15.50x12.31 (394x313)	5.53 (141)	14.31 (364)	11.00 (279)	0.56 (14)	5.59 (142)	0.56 (14)
B161406SC	14/14	16.00x14.00x6.00 (406x356x152)	P1614	14.88x12.88 (378x327)	16.75x12.00 (425x305)	17.50x14.31 (445x364)	5.53 (141)	16.31 (414)	13.00 (330)	0.56 (14)	5.59 (142)	0.56 (14)

◀ NEW PRODUCT IN 2003

*Back panels must be ordered separately.



P0808

FEATURES-SPECIFICATIONS

Description

- 14 gauge (carbon and stainless)
- White polyester powder finish on steel panels
- Aluminum panels are 5052-H32 aluminum alloy, .080-inch thick
- Panels fit the following enclosures:
 - B
 - BCH
 - BN4
 - BN4CH
 - BN4SS
 - BN4CHSS
 - BN4AL
 - BN4CHAL

BACK PANELS FOR JIC ENCLOSURES			
CATALOG NUMBER			PANEL SIZE A X B
PAINTED STEEL (WHITE)	304 STAINLESS STEEL	ALUMINUM	
P0604	P0604SS	P0604AL	4.88x2.88 (124x73)
P0606	P0606SS	P0606AL	4.88x4.88 (124x124)
P0806	P0806SS	P0806AL	6.88x4.88 (175x124)
P0808	—	—	6.88x6.88 (175x175)
P1008	P1008SS	P1008AL	8.88x6.88 (226x175)
P1010	—	—	8.88x8.88 (226x226)
P1206	—	—	10.88x4.88 (276x124)
P1210	P1210SS	P1210AL	10.88x8.88 (276x226)
P1212	P1212SS	—	10.88x10.88 (276x276)
P1408	—	—	12.88x6.88 (327x175)
P1412	P1412SS	P1412AL	12.88x10.88 (327x276)
P1610	—	—	14.88x8.88 (378x226)
P1614	P1614SS	P1614AL	14.88x12.88 (378x327)

